

## A100



### Technical data

The pump pipes can be immersed or in a dry position. Please note that this pump is not self-priming.

Maximum flow rate	: 8.500 l/h
Rated flow rate	: 7.300 l/h
Delivery height	: max. 6,0m
Rated input	: 5...100W
Operating voltage	: 90...240V~ 50...60Hz
Ambient temperature	: +2°C...+40°C
Maximum operating pressure	: 1,2 bar
Maximum immersion depth	: 2 Meter
Pump cable length	: 2m
Inlet/outlet connections	: 40mm/25mm (suitable for PVC/AVB adhesive fittings)

### Product description

The Abyzz A100 pump provides all the quality and features of the bigger Abyzz pumps in a very compact and powerful pump. With its menu controlled driver and the high efficiency motor running on a safety voltage off only 12V it can be used in all areas of application.

The integrated bearing flushing provides optimum protection against calcination and, in conjunction with the silicon carbide bearings and special hard metal shaft, ensures low-maintenance operations.

The materials used are designed to have a long lifetime and meet the highest requirements and quality standards. This product was developed and manufactured in Germany by venotec.

„Made in Germany“

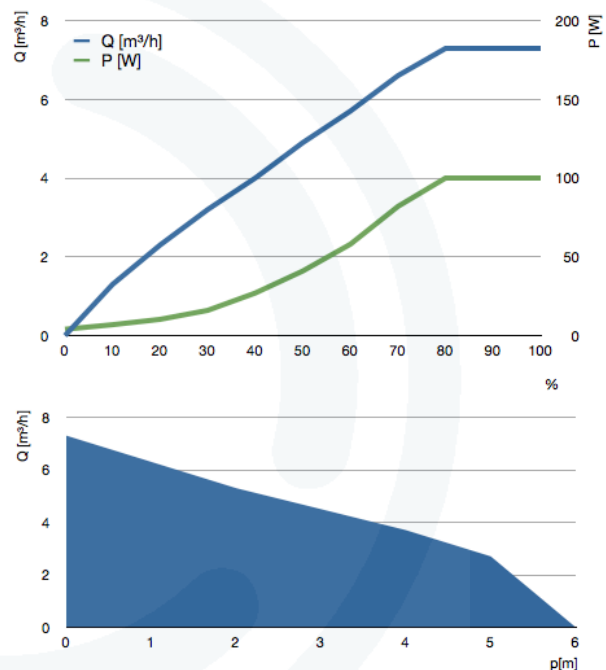
### Special features

- Variable speed range (0 - 100%)
- MCFS® (MenuControlledFlowSequencer) for random, wave etc.
- BOOSTMODE® integrated
- Comprehensive safety functions (e.g. dry run, temperature, and overcurrent protection)
- Soft startup
- Bus-enabled interface for peripheral devices
- Lockable plug contacts
- Low-noise operation
- Motorbetriebsspannung 12V
- Removable motor stand

### Applications

- Freshwater and seawater aquaristics
- Pond filter systems
- Creeks

### Characteristics



### Scope of delivery

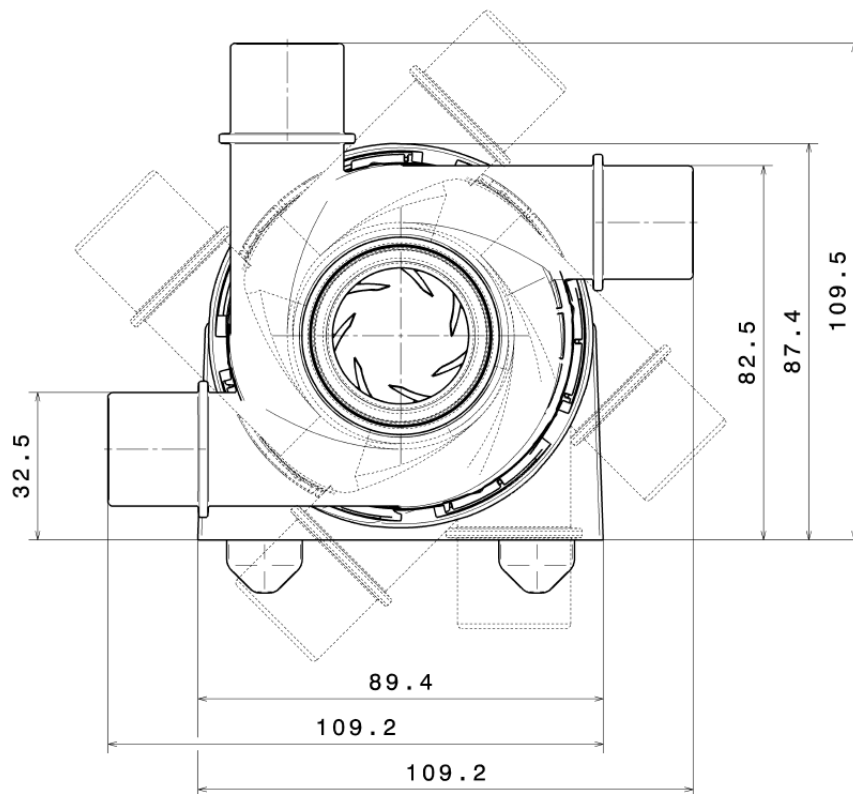
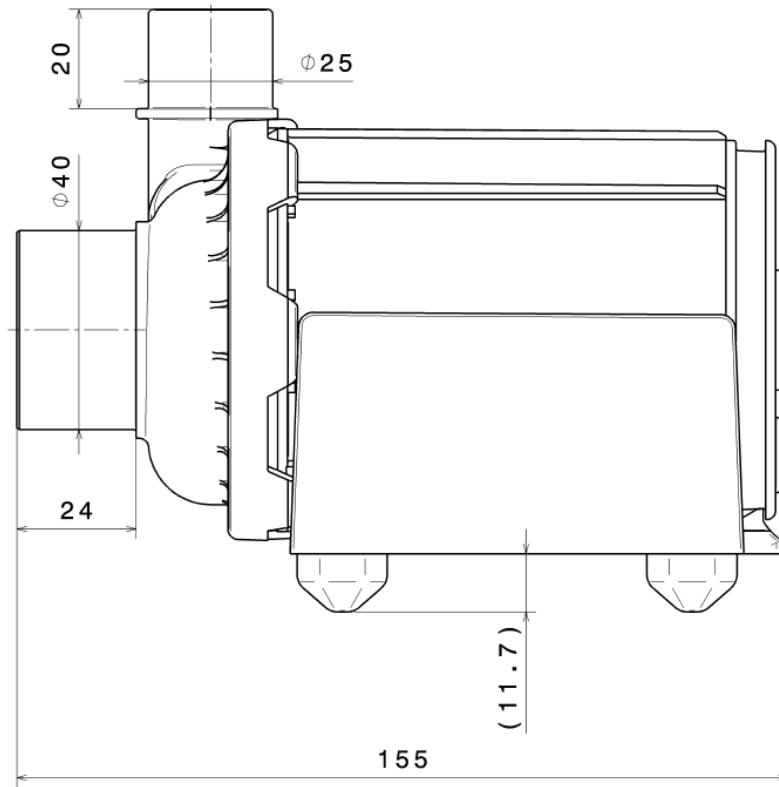
- Abyzz A100 pump and driver
- Mains cable (1.5m) and connecting cable
- Operating manual

We reserve the right to make technical changes.

# Datasheet



## Dimensions



(Pump head rotation in 45° steps shown, steps of 22,5° are possible)