

Royal Exclusiv pumps & skimmers

Klaus Jansen // Richard-Byrd-Str. 7 // 50829 Cologne // Germany

Fon +49(0)221/222886 0 // Fax +49(0)221/22288622

info@royal-exclusiv.de // www.royal-exclusiv.de



Data sheet and list of spare parts for Bubble King® Double Cone 130

For all Bubble King® Double Cone protein skimmer 130

vs15

ENG



Data sheet for protein skimmer Bubble King® Double Cone 130

Protein skimmer Bubble King® Double Cone 130

Product no.: 505 595,00 €

for aquariums up to 300 ltr.

Skimmer-series Bubble King® Double Cone for aquarium-grounds. For internal installation in filter-systems. Suitable for particularly gentle, effective, and dry skimming.

Technical data Bubble King® Double Cone 130:

400 ltr./h Air - 600 ltr./h Water = 1 pump Mini Red Dragon 300 with Ozon - plug

Baseplate: 16 cm x 22 cm / height ~ 46 cm

Skimmer-pump: Mini Red Dragon 300

Delivery rate: 200-400 l/h Air inlet ~ 300-600 l/h Water inlet

Wattage - active power: P = 16 Watt/h

Operating voltage: 230 Volt 50 Hz (also in 110V/60Hz available)

Protection class: IP 68

Water level: ~ 150 mm up to ~ 200 mm

Weight skimmer: 5 kg inclusiv pump

Dimension skimmer without pump:

160 mm wide / 220 mm length / ~ 455 mm height

Dimension skimmer with pump (90 ° to torque tube):

230 mm wide / 285 mm length / ~ 455 mm height

Dimension skimmer with pump (compared with torque tube):

230 mm wide / 340 mm length / ~ 455 mm height

Height silicon outlet (cleanout) ~ 300mm

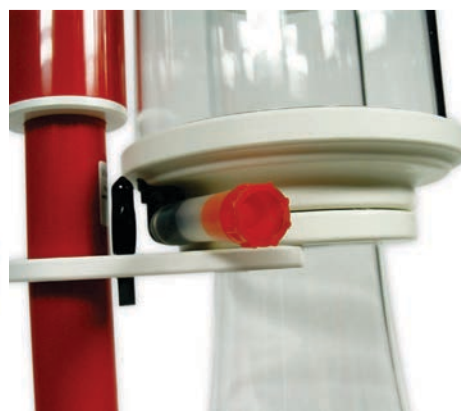
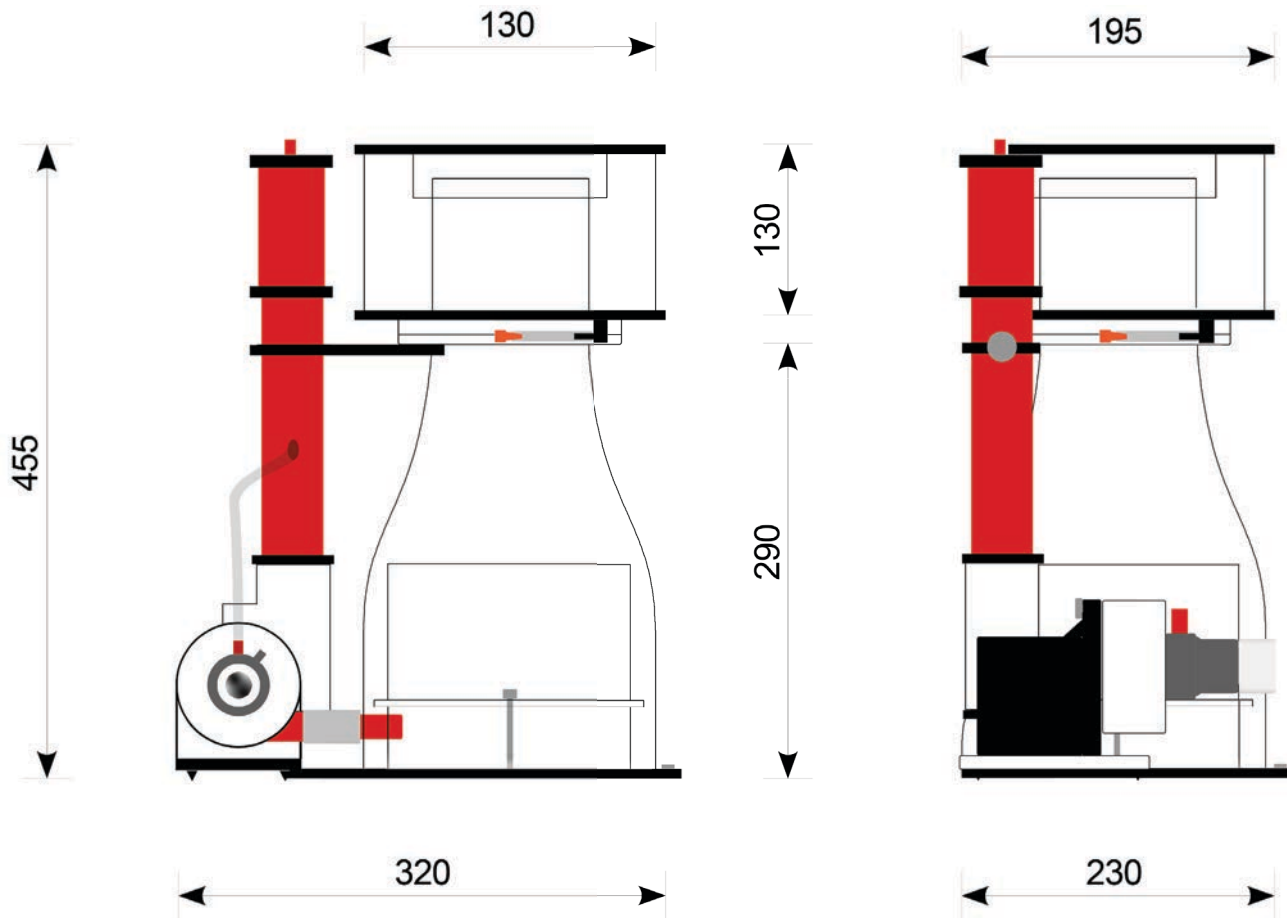


For more information, please visit www.royal-exclusiv.de. Simply enter the part number or name into the search box or email: info@royal-exclusiv.de.

All information subject to change. We try our best, but printing errors reserved.

Protein skimmer Bubble King® Double Cone 130

Product no.: 505



For more information, please visit www.royal-exclusiv.de. Simply enter the part number or name into the search box or email: info@royal-exclusiv.de.

All information subject to change. We try our best, but printing errors reserved.



Protein skimmer Bubble King® Double Cone 130

Product no.: 505

<i>list of spare parts</i>	<i>product no. (110V)</i>	<i>(230V)</i>	<i>Price</i>
resonator single PVC Ø diameter 50mm/nute 30mm	290/DC/150	290/DC/150	25,73 €
silikon-outlet (cleanout)	298	298	23,52 €
lid complete	309/130	309/130	57,00 €
cup with connection incl. silicon outlet (cleanout)	378	378	197,00 €
silicon O-ring 60 x 2,5mm for stand pipe	172	172	3,99 €
silicon O-ring 70 x 2,5mm for cup screw connection	172/70	172/70	4,15 €
silicon air-hose 9x3mm 400mm length	185-5	185-5	9,68 €
ozon tube 8x1 red 275mm	308-1	308-1	7,56 €
torque tube Ø 32mm PVC red / 275mm length	408	408	19,95 €
T-piece short Ø 32mm / 32 / 32	304	304	13,55 €
injection-ring acrylic-glass Ø 80mm / 61mm	413	413	21,95 €
hole plate PVC 120/67 with acrylic glass-ring 80mm	423/130	423/130	48,00 €
skimmer-body with connection/tube holder	376	376	285,00 €
titan screw 6 x 10mm for baseplate	183-9	183-9	3,78 €
plastic screw 6 x 16mm locking screw for torque tube	181-2	181-2	1,84 €
rubber feets 4 pieces	180	180	4,20 €
silicon hose 9x3mm (price for one meter)	185	185	19,43 €
baseplate PVC white 220 / 160mm with rubber feets	396/130	396/130	93,50 €
skimmer-pump MRD 300 complete	122/300/1	122/300/2	465,00 €
motor block MRD 300 with base plate	140/1	140/2	193,20 €
pump head PVC 100 / 42 / 25	246	246	142,80 €
rotor complete with metal-shaft	122/1/300	122/2/300	173,20 €
carbon-bearing with O-ring 1 pieces	155	155	6,83 €
titan srew for pump head 3 pieces	183-3	183-3	12,60 €
nozzle base part with ozon-connection	269	269	17,12 €
nozzle 12mm	271/150	271/150	20,00 €
silicon - hose Ø 22 / 45mm	300	300	6,31 €
cover cap clear PVC for pump plug Ø23,4mm	299	299	1,57 €
PVC pipe conection Ø 25mm red / 55mm length	424	424	6,09 €
perbunan O-ring 65 x 4mm for pump head/motorblock	171	171	4,20 €

accessories

	<i>product no. (110V)</i>	<i>(230V)</i>	<i>Price</i>
add on resonator Ø 63mm	999	999	33,60 €
PVC pipe clip Ø 63mm for wall and ceiling mounting	930-63	930-63	6,83 €
resonator - inlay for add on resonator Ø 63mm	294-1	294-1	6,20 €
resonator - inlay for skimmer Ø 50mm	294-2	294-2	5,15 €
silicon grease tube 6g	030/6	030/6	2,63 €
silicon grease tube 25g	030/25	030/25	7,88 €

For more information, please visit www.royal-exclusiv.de. Simply enter the part number or name into the search box or email: info@royal-exclusiv.de.

All information subject to change. We try our best, but printing errors reserved.

Protein skimmer Bubble King® Double Cone 130

Product no.: 505

Please replace the **x** with the appropriate number for the voltage of 110/230 Volt.

<i>spare part</i>	<i>spare part</i>	<i>spare part</i>	<i>spare part</i>
			
resonator single PVC diameter Ø 50mm/nute 30mm 290/DC/150 25,73 €	silicon-outlet (cleanout) 298 23,52 €	lid complete 309/130 57,00 €	cup with connection incl. silicon outlet (cleanout) 378 197,00 €
<i>spare part</i>	<i>spare part</i>	<i>spare part</i>	<i>spare part</i>
			
silicon O-ring 60 x 2,5mm for stand pipe 172 3,99 €	silicon O-ring 70 x 2,5mm for cup screw connection 172/70 4,15 €	silicon air-hose 9x3mm 400mm long 185-5 9,68 €	ozon-hose 8x1mm 275mm long 308-1 7,56 €
<i>spare part</i>	<i>spare part</i>	<i>spare part</i>	<i>spare part</i>
			
torque tube Ø 32mm PVC red 275mm length 408 19,95 €	T-piece short Ø 32mm 304 13,55 €	injection-ring acrylic-glass Ø 80mm / 61mm 413 21,95 €	hole plate PVC 120/67 with acrylic glass-ring 80mm 423/130 48,00 €
<i>spare part</i>	<i>spare part</i>	<i>spare part</i>	<i>spare part</i>
			
skimmer-body with connection/tube holder 376 285,00 €	titan screw 6 x 10mm for baseplate 183-9 3,78 €	plastic screw 6 x 16mm locking screw for torque tube 181-2 1,84 €	rubber feet 4 pieces 180 4,20 €

For more information, please visit www.royal-exclusiv.de. Simply enter the part number or name into the search box or email: info@royal-exclusiv.de.

All information subject to change. We try our best, but printing errors reserved.

Protein skimmer Bubble King® Double Cone 130

Product no.: 505

Please replace the **x** with the appropriate number for the voltage of 110/230 Volt.

spare part	spare part	spare part	spare part
			
silicon hose 9x3mm (price for one meter) 185 19,43 €	Base plate PVC white 220 / 160mm 396/130 93,50 €	skimmer-pump MRD 300 complete 122/300/x 465,00 €	motor block MRD 300 with base plate 140/x 193,20 €
spare part	spare part	spare part	spare part
			
pump head PVC 100 / 42 / 25 246 142,80 €	rotor complete with metal-shaft 122/x-300 173,20 €	carbon-bearing with O-ring 1 pieces 155 6,83 €	titan srew for pump head 3 pieces 183-3 12,60 €
spare part	spare part	spare part	spare part
			
nozzle base part with ozon-connection 269 17,12 €	nozzle 12mm 271/150 20,00 €	silicon - hose Ø 22 / 45mm 300 6,31 €	cover cap red PVC for torque tube Ø40mm 299 1,57 €
spare part	spare part		
			
PVC pipe conection Ø 25mm 424 6,09 €	perbunan O-ring 65 x 4mm for pump head/motorblock 171 4,20 €		

For more information, please visit www.royal-exclusiv.de. Simply enter the part number or name into the search box or email: info@royal-exclusiv.de.

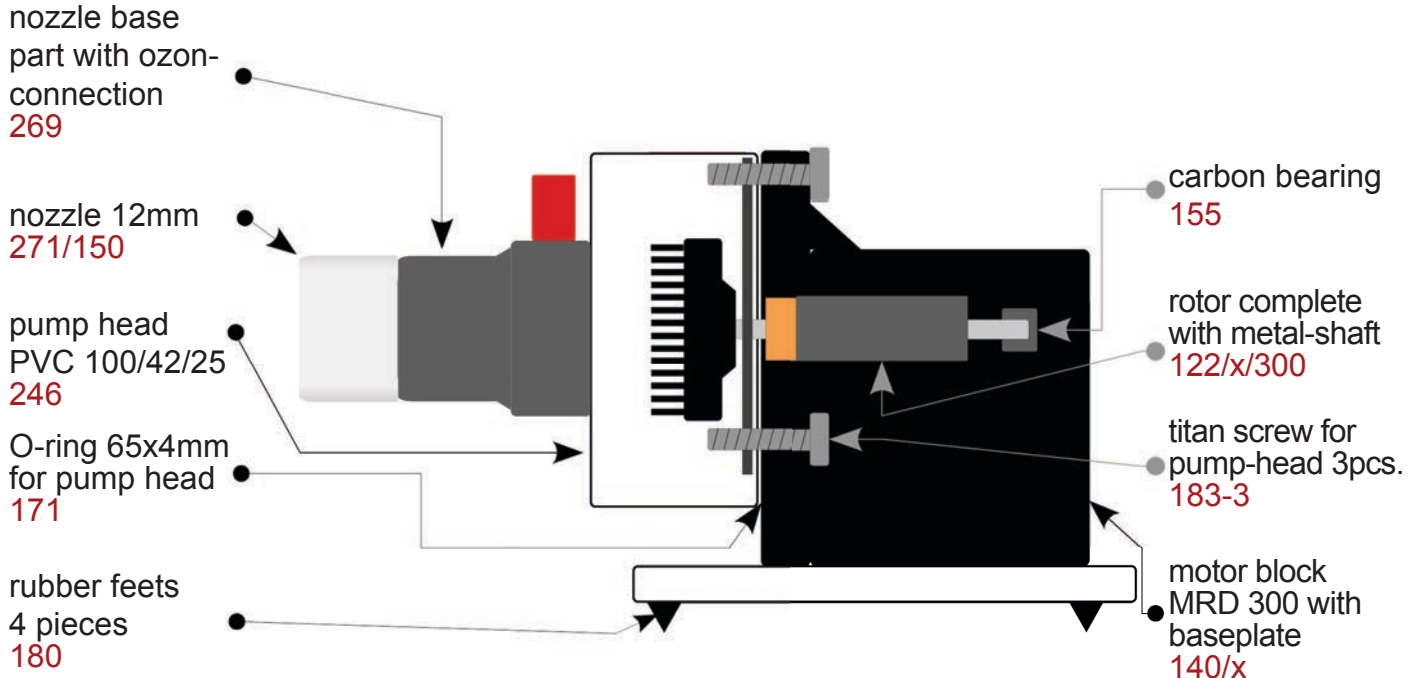
All information subject to change. We try our best, but printing errors reserved.

Protein skimmer Bubble King® Double Cone 130

Product no.: 505

Please replace the **x** with the appropriate number for the voltage of 110/230 Volt.

accessories	accessories	accessories	accessories
			
add on resonator Ø 63mm 999	PVC pipe clip Ø 63mm for wall and ceiling mounting 930-63	resonator - inlay 294-2	silicon grease tube 6g 030-6
33,60 €	6,83 €	5,15 €	2,63 €





Since 1986



Protein skimmer Bubble King® Double Cone 130

Product no.: 505

Please replace the **x** with the appropriate number for the voltage of 110/230 Volt.

lid complete 130
309/130

resonator single
PVC Ø50mm
290/DC/150

resonator - inlay
294-2

silicon hose 9x3mm
400mm long
185-5

T-piece short
Ø 32mm / 32 / 32
304

silicon - hose
Ø 22 / 45mm
300

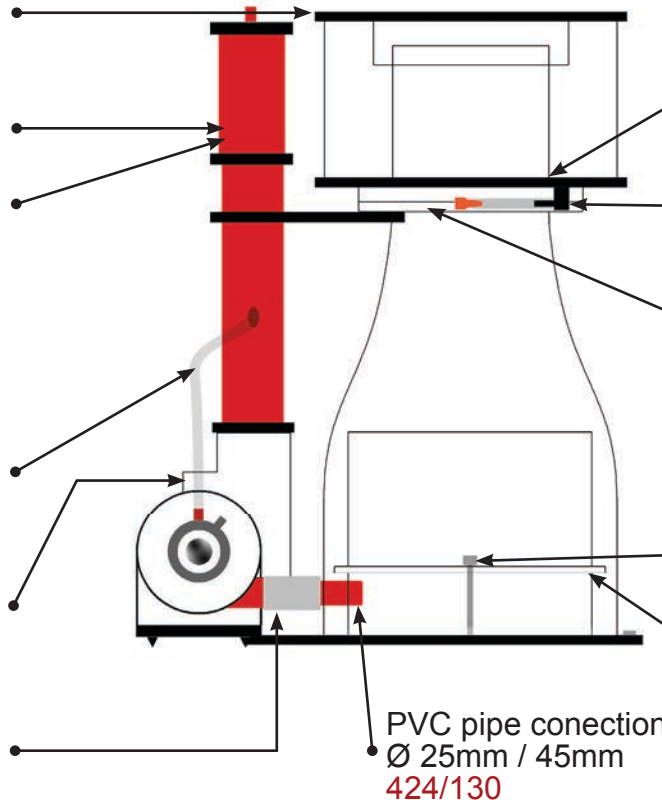
silicon O-ring
60 x 2,5mm
for stand pipe
172

silikon-outlet
(cleanout)
298

silicon O-ring
70 x 2,5mm for cup
screw connection
172/70

titan screw
6x10mm for
baseplate
183-9

hole plate PVC
120/67 with acrylic
glass-ring 80mm
423/130



cup with connection
incl. silicon outlet
(cleanout)
378

plastic screw
6x16mm
for torque tube
181-2

torque tube
Ø 32mm PVC red
408

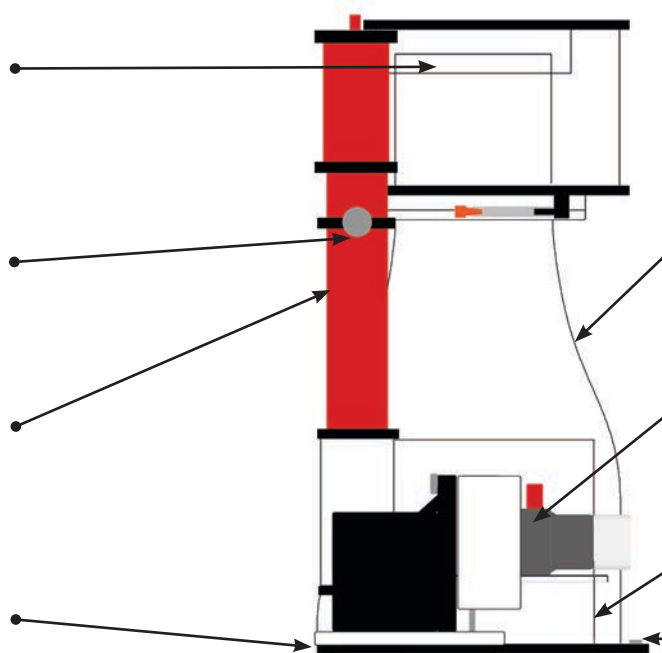
baseplate PVC
white 220/160mm
396/130

skimmer-body
with with connec-
tion/tube holder
376

skimmer-pump
MRD 300
complete
122/300/x

injection-ring
acrylic-glass
Ø 80mm / 61mm
413

titan screw
6x10mm for
baseplate
183-9



For more information, please visit www.royal-exclusiv.de. Simply enter the part number or name into the search box or email: info@royal-exclusiv.de.

All information subject to change. We try our best, but printing errors reserved.